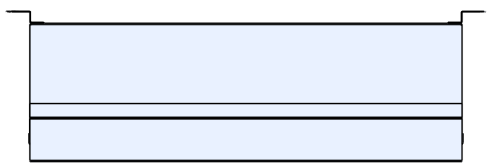


2

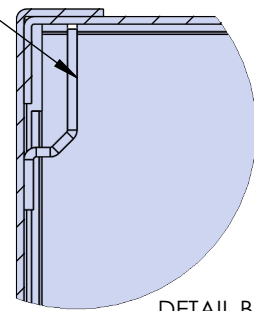
1

- NOTES:
1. BOX AND COVER N3R CONSTRUCTION:  
GALV SHEET STEEL (14GA)
  2. FINISH: POWDERCOAT GRAY ENAMEL.
  3. TO BE LABELED AS FOLLOWS:  
MANUFACTURERS NAME  
800A, 600VAC MAX, 3P 4W;  
2 SETS 500MCM PER PHASE
  4. RATED FOR 50,000 SYM RMS AMPS.
  5. UL LISTED.
  6. CABINET WILL HAVE NAME PLATE ON THE OUTSIDE.
  7. INCLUDES HARDWARE KIT OF:
    - (8) ND-600-2 LUGS
    - (14) 1/2"-13 SS HEX NUTS
    - (14) 1/2"-13 X 2" SS TAP BOLTS
    - (28) 1/2" SS BELLEVILLE WASHERS
    - (28) 1/2" SS FLAT WASHERS
    - (12) 1/4"-20 HEX NUTS ON CT MOUNTING BRACKET

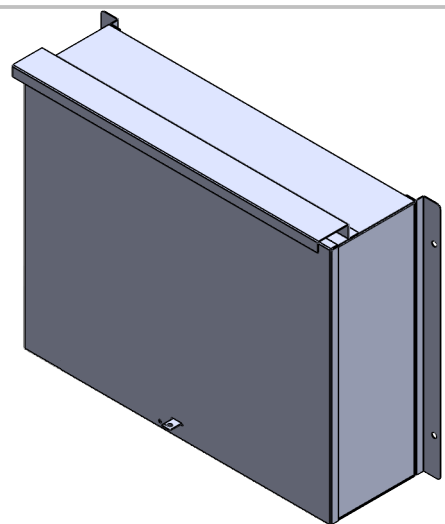
TOP VIEW



2 BRACKETS WELDED  
ONTO COVER, INSERTED  
INTO SLOTS OF  
ENCLOSURE TO SECURE



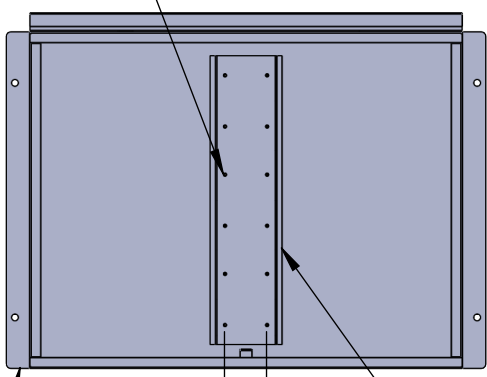
DETAIL B  
SCALE 1 : 2



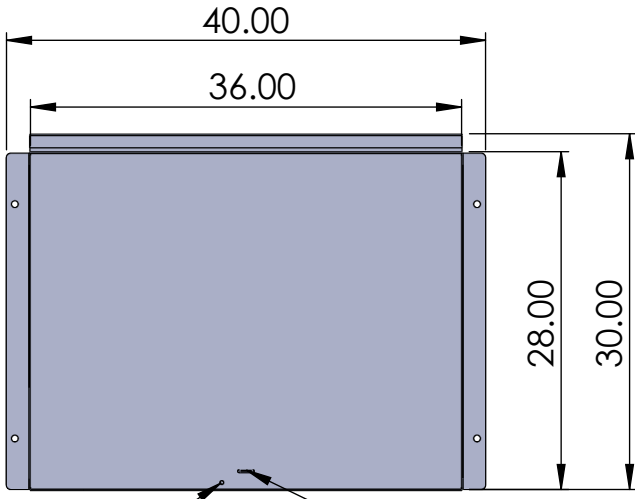
B

B

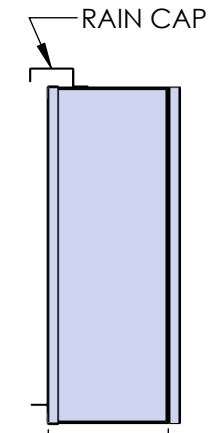
1/4"-20 UNC CARRIAGE BOLT  
1-1/2" LENGTH WITH HEX NUT  
AND WASHER (12)



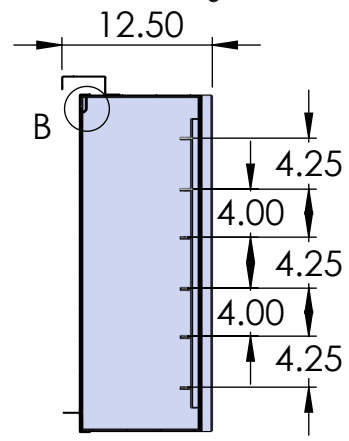
FRONT VIEW  
OPENED



FRONT VIEW  
CLOSED



SIDE VIEW



SIDE VIEW  
SECTIONED

A

A

EXTERNAL  
MOUNTING  
TABS

CT MOUNTING  
BRACKET (12GA)

	NAME	DATE
DRAWN BY	N. BOSETTI	3/19/2026
APPROVED BY		

**PROPRIETARY AND CONFIDENTIAL**  
THE INFORMATION CONTAINED IN THIS  
DRAWING IS THE SOLE PROPERTY OF  
Nav-Tech Inc. ANY REPRODUCTION IN  
PART OR AS A WHOLE WITHOUT THE  
WRITTEN PERMISSION OF Nav-Tech Inc.  
IS PROHIBITED.



155 MARCUS BLVD  
HAUPPAUGE, NEW YORK 11788  
PH: (718) 257-2111 FAX: (718) 257-2626

MATL: GALV STEEL  
FINISH: POWDER COAT ANSI 61  
WEIGHT:

ALL DIMENSIONS  
ARE NOMINAL  
UNLESS EXPLICITLY  
STATED OTHERWISE

DRAWING TITLE: PSEG NJ NEMA 3R CT CABINET

PART #: PNJ-CT4-800-R

DESCRIPTION: PSEG NEW JERSEY  
UNFURNISHED OUTDOOR  
CT CABINET 400A-800A  
600 VAC MAX

<b>DO NOT SCALE DRAWING</b>	SCALE: 1:20	SIZE A	SHEET 1 OF 1	REV. 5
---------------------------------	-------------	--------	--------------	--------

2

1